



PRODUCT DESCRIPTION

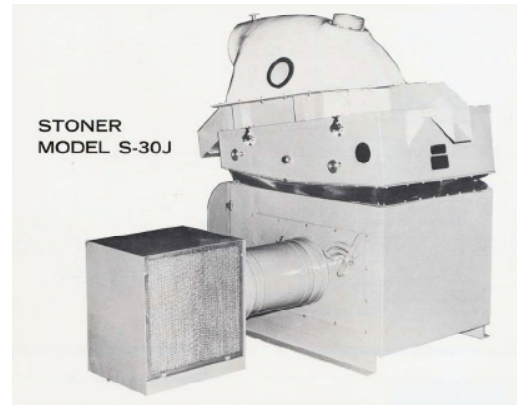
The Sutton Stoner derives its name from the application for which it was first developed: separating from wheat, corn, peanuts and beans the product size stones, glass and non-magnetic metals which could not be removed by screening.

APPLICATIONS

Many new applications for the Stoner have since been found:

- The beneficiation of kiln-burned lime by removal of 'core'
- Separation of contaminating nodular iron pyrites from ground clay for brick and tile
- Aluminum from copper granules
- Mudballs from ground-harvested almonds
- 'Matchsticks' from wood flakes
- Metallic prills from crushed slags

Stoners are recommended for applications requiring only a two-part separation into light and heavy fractions where the latter is a minor constituent in a closely-sized dry granular mixture and the density difference between the two components is about 1.5:1 or more. Under these conditions the Stoner exhibits phenomenally high separation efficiencies at high rates of throughput.



CONSTRUCTION

The S-30J will operate efficiently at 200 bu/hr of small grain such as wheat, to 8 tph or large material such as field run almonds. The S-30J features a sleek, molded fiberglass exhaust hood which is mounted integrally with the vibrating deck structure to form a dust-tight enclosure without any dirt-catching cloth 'boot' between deck and exhaust hood.

Like all Sutton Stoners, the Model S-30J features quick, easy internal access for inspection and cleaning and can be supplied in special epoxy finishes or in stainless steel where surfaces are in contact with the process material. Construction is all-steel, except for the wood deck frame and fiberglass exhaust hood, and the fluidizing blower is integral with the machine housing. A banking rail supports the exhaust hood. Vibration is supplied by a self balancing inertia drive mounted on a welded aluminum cradle supported on laminated fiberglass flat springs. Access to the interior of the machine, which also exposes the internally-mounted drive motor, is through a large, quick-release cover panel.

Standard equipment includes V-belt drive and guard and independent air intake filter housing with easy-to-clean filter panels.

HOW IT WORKS

Sloping in one plane only, the flat porous deck oscillates to convey material 'uphill' toward the high end. Air moving upward through the deck fluidizes the material bed, allowing the heavy particles to sink to the bottom where they are transported along the deck surface to a reject spout at the high end. The lighter product mass, in an expanded or fluidized condition, floats on a cushion of air down the slope to be discharged from a spout at the low end.

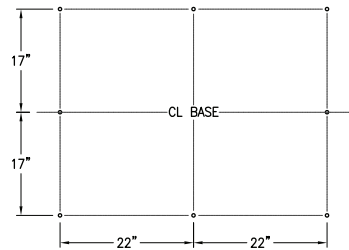
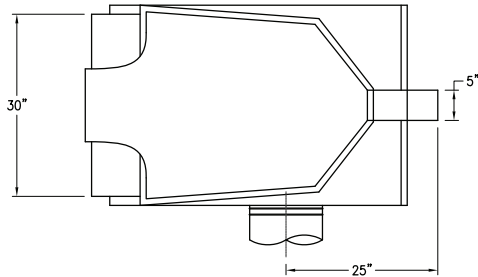


STONER

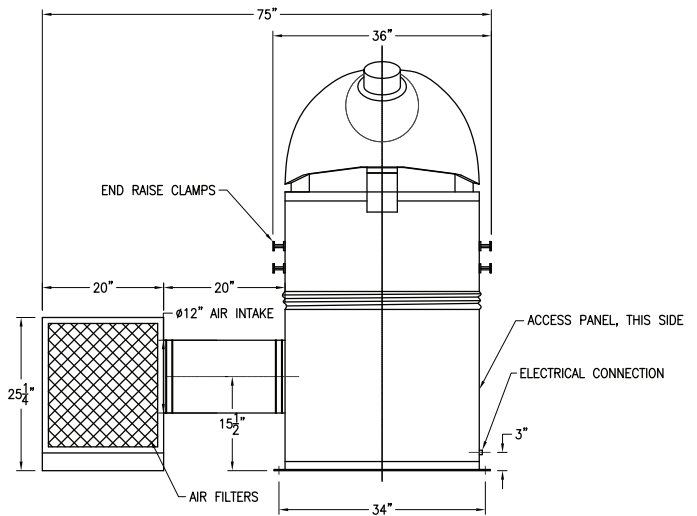
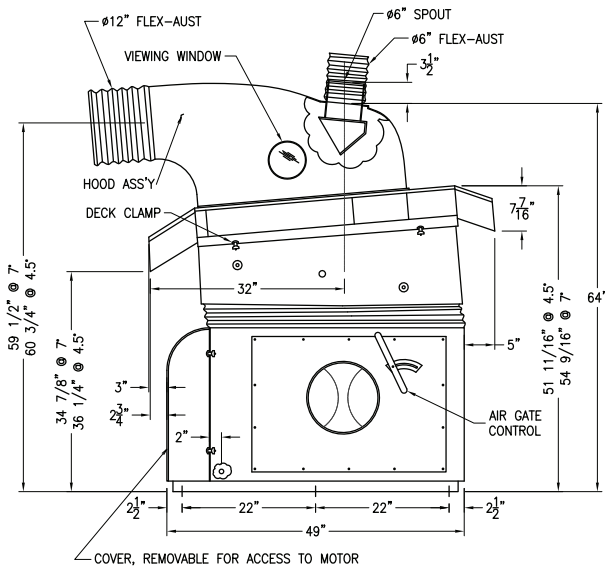
Model S-30J

SPECIFICATIONS

- | | |
|-----------------------------|-----------------------|
| ■ Dimensions | See Drawing |
| ■ Net Weight | 830 lbs. (less motor) |
| ■ HP required | 5 to 7 1/2 @ 1750 rpm |
| ■ Intake air | 2000-3000 cfm |
| ■ Exhaust air (canopy hood) | 3500 cfm (max.) |



FOUNDATION PLAN
USE 1/2" BOLTS



Triple/S Dynamics, Inc.
 1031 S. Haskell Avenue Dallas, TX 75223
 Ph. 214-828-8600 800-527-2116 www.sssdynamics.com